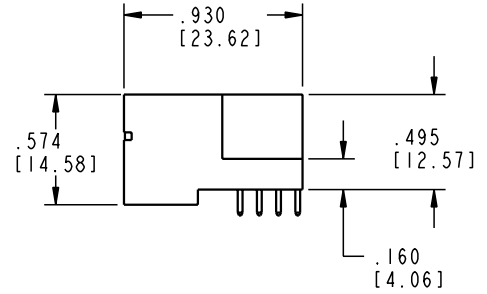
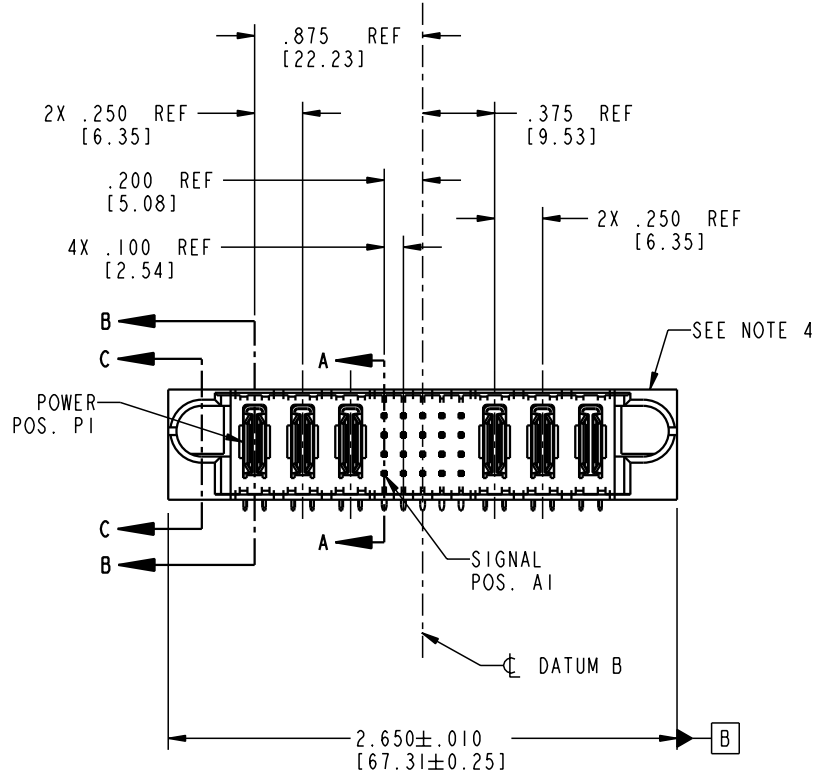


Tous droits strictement réservés. Reproduction ou communication o des tiers interdite sous quelque forme que ce soit sans autorisation écrite du propriétaire. Propriété de c FCI. Droits de reproduction FCI.

All rights strictly reserved. Reproduction or issue to third parties in any form whenever is not permitted without written authority from the proprietor. Property of FCI. Copyright FCI.

| PRODUCT NO. | ROWS | POWER | | | SIGNAL | | | | | POWER | | | E2 | |
|------------------|------------------|-------|----|----|--------|---|---|---|---|-------|----|----|----|----|
| | | E1 | P1 | P2 | P3 | 1 | 2 | 3 | 4 | 5 | P4 | P5 | | P6 |
| 51720-10302003AB | D C B A | | | | | | | | | | | | | |



| CODE | DIM "M" MATING LENGTH | CONTACT TYPE |
|------|-----------------------|--------------|
| R | .270 [6.86] | SIGNAL |
| S | .270 [6.86] | SIGNAL |
| T | .270 [6.86] | SIGNAL |
| U | .270 [6.86] | SIGNAL |
| PA | N/A [N/A] | POWER |

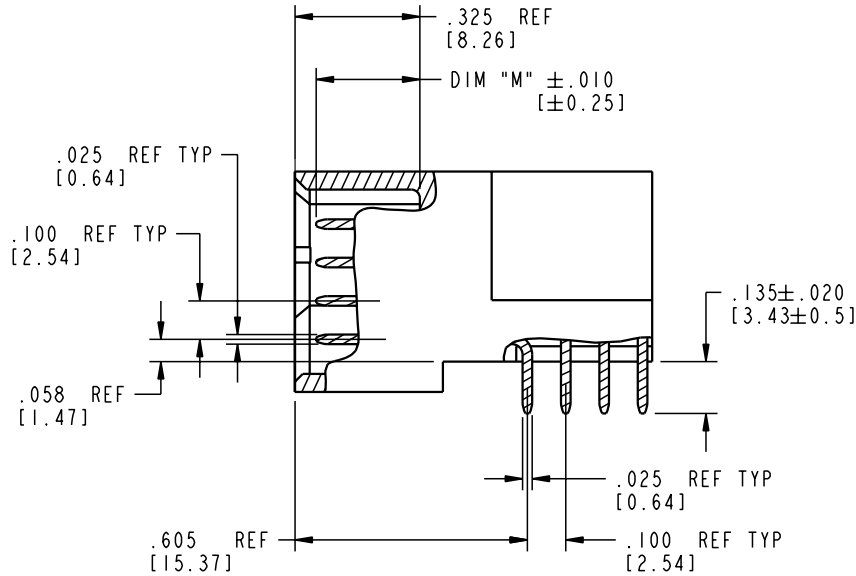
| | | | | | | | | | | | |
|-------------|----------------|-----|----------|------------|----------------------------|---------------------------------------|------------|----------|---------------------------|------------------------|--------|
| mat'l code | | | | SEE NOTE 2 | | tolerances unless otherwise specified | | CUSTOMER | | www.fciconnect.com | |
| ltr | ecn no. | dr | date | linear | .XX ± .01/0.X ± 0.3 | | COPY | | title | | |
| A | V21395 | CGD | 08/28/02 | | .XXX ± .005/0.XXX ± 0.13 | | projection | | 3P + 20S + 3P | | |
| | | | | | .XXX ± .0020/0.XXX ± 0.051 | | | | RIGHT ANGLE SOLDER HEADER | | |
| | | | | angles | 0° ± 2° | | INCH/MM | | product family | | code |
| | | | | dr | C. DAILY | 08/28/02 | scale | | PwrBlade | | 213 |
| | | | | engr | M. MOSTOLLER | 08/28/02 | 1:1 | | size | | sheet |
| | | | | chr | M. MOSTOLLER | 08/28/02 | | | A 51720-10302003AB | | 1 of 4 |
| | | | | appd | M. MOSTOLLER | 08/28/02 | | | | | |
| sheet index | revision sheet | A | A | A | A | | | | | | |
| | | 1 | 2 | 3 | 4 | | | | | | |

Pro/E 3 cage code 22526 4

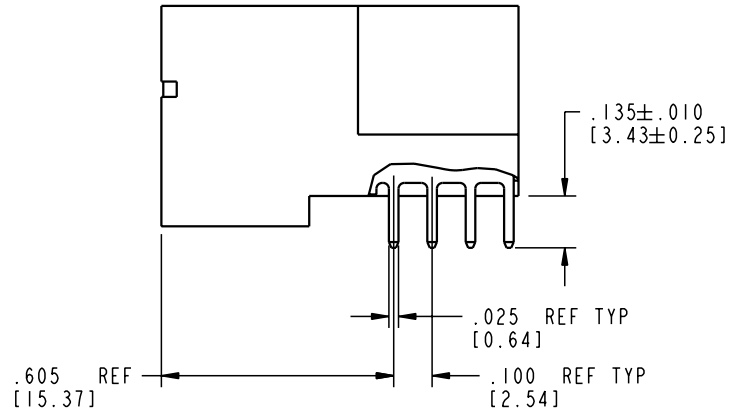
Tous droits strictement réservés. Reproduction ou communication o des tiers interdite sous quelque forme que ce soit sans autorisation écrite du propriétaire. Propriété de c FCI. Droits de reproduction FCI.

All rights strictly reserved. Reproduction or issue to third parties in any form whatever is not permitted without written authority from the proprietor. Property of FCI. Copyright FCI.

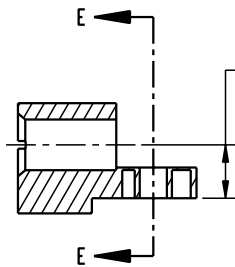
PRODUCT NUMBER
51720-10302003AB



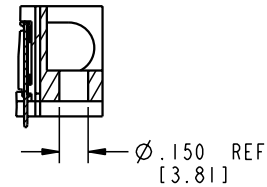
BROKEN-OUT SECTION A-A
SCALE 2:1




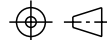
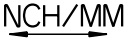

BROKEN-OUT SECTION B-B
SCALE 2:1



SECTION C-C



PARTIAL SECTION E-E

| | | | | | | | | | | | |
|-------------|----------------|----|------|------------|-----------------|--|--|---|---|---|--------------|
| mat'l code | | | | SEE NOTE 2 | | tolerances unless otherwise specified | | CUSTOMER | |  www.fciconnect.com | |
| ltr | ecn no. | dr | date | linear | .XX±.01/0.X±0.3 | | COPY | |  title 3P + 20S + 3P RIGHT ANGLE SOLDER HEADER | | |
| A | | | | | angles | .XXX±.005/0.XX±0.13 .XXXX±.0020/0.XXX±0.051 | |  product family PwrBlade code 213 | | | |
| | | | | dr | C. DAILY | 08/28/02 |  scale 1:1 | | size dwg no A 51720-10302003AB | | sheet 2 of 4 |
| | | | | enr | M. MOSTOLLER | 08/28/02 | | | | | |
| | | | | chr | M. MOSTOLLER | 08/28/02 | | | | | |
| | | | | appd | M. MOSTOLLER | 08/28/02 | | | | | |
| sheet index | revision sheet | | | | | | | | | | |

Pro/E

cage code 22526

PDM: Rev:A

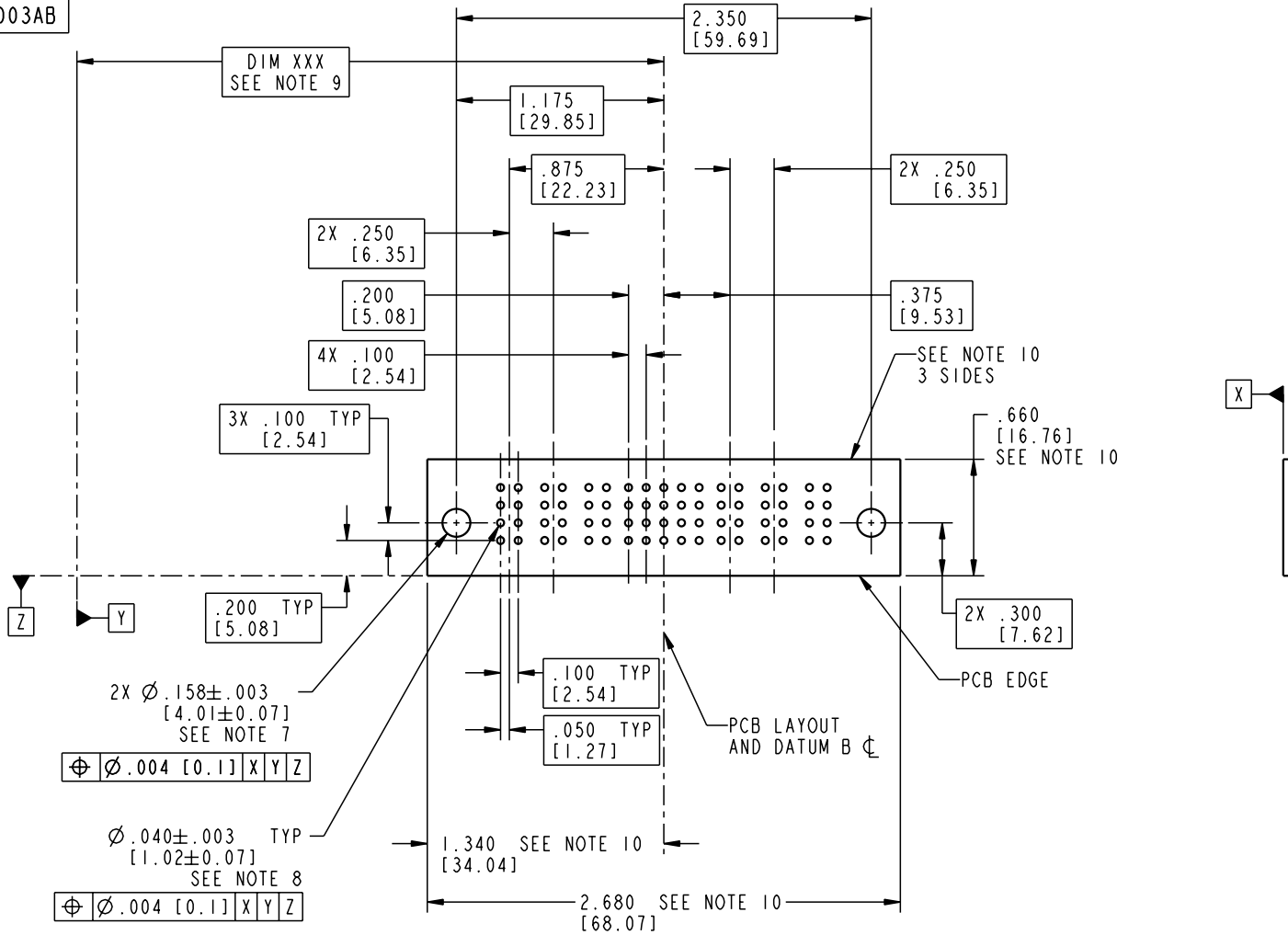
STATUS: Released

Printed: Aug 12, 2007

Tous droits strictement réservés. Reproduction ou communication o des tiers interdite sous quelque forme que ce soit sans autorisation écrite du propriétaire. Propriété de c FCI. Droits de reproduction FCI.

All rights strictly reserved. Reproduction or issue to third parties in any form whatever is not permitted without written authority from the proprietor. Property of FCI. Copyright FCI.

PRODUCT NUMBER
51720-10302003AB



RECOMMENDED PCB LAYOUT

| | | | | | | | | | | | |
|-------------|----------------|----|------|------------|------------------------|---------------------------------------|-----------------------|----------|---------------------------|------------------------|--------|
| mat'l code | | | | SEE NOTE 2 | | tolerances unless otherwise specified | | CUSTOMER | | www.fciconnect.com | |
| ltr | ecn no. | dr | date | linear | .XX±.01/0.X±0.3 | projection | COPY | | title | | |
| A | | | | angles | .XXX±.005/0.XX±0.13 | | | | 3P + 20S + 3P | | |
| | | | | dr | .XXX±.0020/0.XXX±0.051 | INCH/MM | | | RIGHT ANGLE SOLDER HEADER | | |
| | | | | enr | 0° ± 2° | scale | C. DAILY 08/28/02 | | product family | | code |
| | | | | chr | | 1:1 | M. MOSTOLLER 08/28/02 | | PwrBlade | | 213 |
| | | | | appd | | | M. MOSTOLLER 08/28/02 | | size | | sheet |
| sheet index | revision sheet | | | | | | | | A 51720-10302003AB | | 3 of 4 |

Pro/E

cage code 22526

PDM: Rev:A

STATUS: Released

Printed: Aug 12, 2007

Tous droits strictement réservés. Reproduction ou communication o des tiers interdite sous quelque forme que ce soit sans autorisation écrite du propriétaire. Propriété de c FCI. Droits de reproduction FCI.



All rights strictly reserved. Reproduction or issue to third parties in any form, whatever is not permitted without written authority from the proprietor. Property of FCI. Copyright FCI.

PRODUCT NUMBER
51720-10302003AB

NOTES:

1. DIMENSIONS AND TOLERANCES ARE IN ACCORDANCE WITH ASME Y14.5M, 1994 UNLESS OTHERWISE SPECIFIED.

CONNECTOR NOTES:

- 2. HOUSING MATERIAL: UL 94 V-0 GLASS FILLED
HIGH-TEMP THERMOPLASTIC
POWER CONTACT MATERIAL: COPPER ALLOY
SIGNAL PIN MATERIAL: COPPER ALLOY
 - 3. PLATING:
SIGNAL PINS: 30u"/0.76um Au OVER 50u"/1.27um Ni
POWER CONTACTS: 50u"/1.27um Ni UNDER ALL
WITH 30u"/0.76um Au ON CONTACT AREA
AND SnPb ON PCB INTERFACE
 - 4. MANUFACTURER'S NAME, P/N, AND DATE CODE TO APPEAR ON THIS SURFACE.
 - 5. PRODUCT SPECIFICATION GS-12-149.
APPLICATION SPECIFICATION BUS-20-067.
- PCB NOTES:
- 6. ALL HOLE DIAMETERS ARE FINISHED HOLE SIZE.
 - 7. MOUNTING HOLES, WHERE APPLICABLE, ARE UNPLATED.
 - 8. $\varnothing .0453 \pm .0010$ [1.151 \pm 0.025] DRILLED HOLES PLATED WITH .0003 [0.008] MIN SnPb OVER .001 [0.03] TO .003 [0.08] Cu PLATING TO ACHIEVE $\varnothing .040 \pm .003$ [1.02 \pm .07] HOLE.
 - 9. "DIM XXX" TO BE DETERMINED BY THE CUSTOMER.
 - 10. CONNECTOR KEEP-OUT ZONE.

| | | | | | | | | | |
|-------------|----------------|------------|------|---------------------------------------|------------------------|----------|--|------------------------------|--|
| mat'l code | | SEE NOTE 2 | | tolerances unless otherwise specified | | CUSTOMER | | www.fciconnect.com | |
| ltr | ecn no. | dr | date | linear | .XX±.01/0.X±0.3 | COPY | | | |
| A | | | | projection | .XXX±.005/0.XX±0.13 | | | title 3P + 20S + 3P | |
| | | | | angles | .XXX±.0020/0.XXX±0.051 | | | RIGHT ANGLE SOLDER HEADER | |
| | | | | dr | C. DAILY 08/28/02 | INCH/MM | | product family PwrBlade code | |
| | | | | enr | M. MOSTOLLER 08/28/02 | scale | | size 213 | |
| | | | | chr | M. MOSTOLLER 08/28/02 | 1:1 | | sheet | |
| | | | | appd | M. MOSTOLLER 08/28/02 | | | 4 of 4 | |
| sheet index | revision sheet | | | | | | | | |

1 | 2

Pro/E

3 |

cage code 22526

4